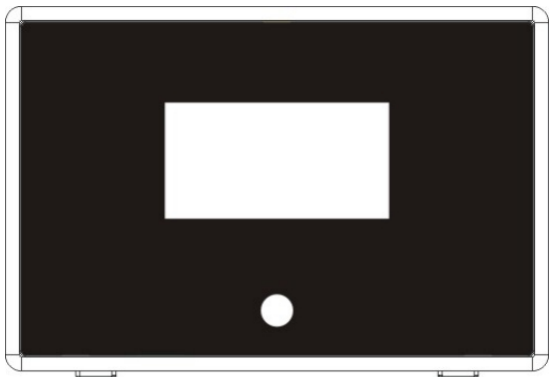




# User Manual

DAB+/DAB/FM Radio Adaptor  
with Bluetooth



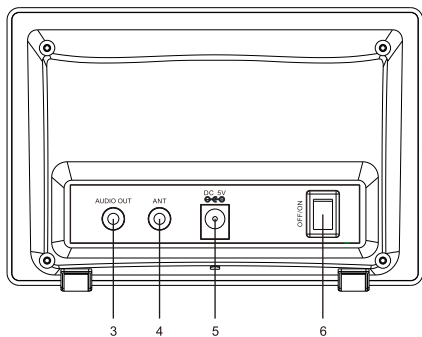
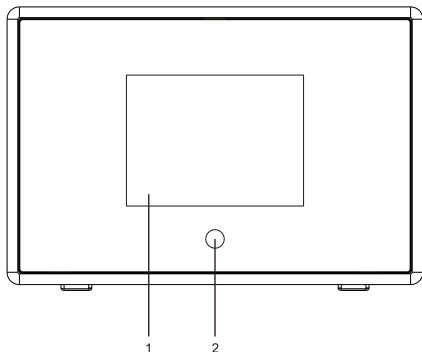
**DBA-01C8**

**(Additional powered speaker / active speaker is required  
to use this product)**

---

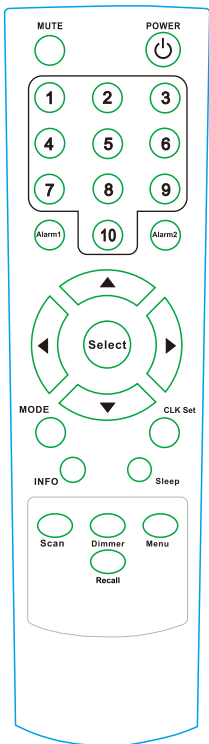
Please read this user manual carefully before using receiver

# Location of Controls



1. 2.8" TFT color display
2. Infrared remote control sensor
3. 3.5mm audio out socket: Connect external powered speakers with 3.5 mm plug or RCA adaptor with 3.5mm plug
4. 3.5mm antenna input socket: connect with wire antenna
5. DC IN socket
6. Power On/Off switch

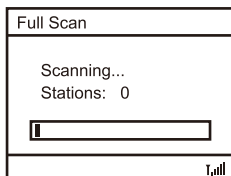
# Remote control



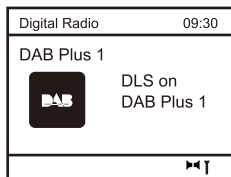
- 1. Power:** Power on/off standby.
- 2. Mute:** Silent on/off.
- 3. Numeric button 1-10:**  
Preset and recall the radio station by pressing a specific number.  
Press and hold the button to store the station.  
Press briefly to recall the station.
- 4. Alarm1/2:** Press to set the Alarm on the radio.
- 5. ▲ / ▼:** Up/Down button, press to scroll up and down on the menu;  
During playback of the radio channel:  
DAB mode: press ▲ / ▼ return to the station list.  
FM mode: press ▲ / ▼ to fine tune the frequency; long pressing the button to skip to the next /previous available radio channel.
- 6. Select:** Press it to confirm the operation.
- 7. Mode:** Press the button to enter into the mode menu. Press the button repeatedly to switch between the mode of DAB, FM and Bluetooth.
- 8. CLK Set:** Press to set the clock.
- 9. Info:** To view the detailed information of the current playing radio station; return to the playing screen after operating in other menu.
- 10. Sleep:** Set the sleep timer.
- 11. Scan:** To initiate full scan of DAB and auto scan the next available station in FM.
- 12. Dimmer:** 3 levels of brightness control for the display.
- 13. Menu:** Enter the main menu of the radio mode it is playing.
- 14. Recall:** To recall the list of preset stations.

# Getting started

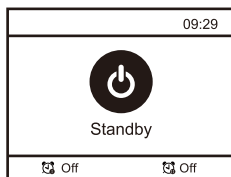
1. Connect the AC adaptor supplied in the package to the DC jack at the rear side of the radio.
2. To get the best reception, place the radio near a window.
3. Connect your external powered speaker to the Aux-out jack on the radio.
4. Plug in the wire antenna supplied in the package to the ANT jack.
5. Extend the wire to the fullest to get the best reception.
6. Switch the radio on using the Power on/off switch. The radio will power up and the display on the front will light up and display as follow. The radio will start in DAB mode by default and followed by a full scan of the radio stations.



7. If there is problem on reception, try moving the antenna around or different direction to improve the reception.
8. When the scan is completed, the first station (alphabetically) will begin to play.

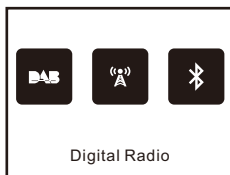


9. The date and time will update from DAB or FM data by default depends on which mode is using.
10. Press the **<Power>** button and the radio will go into standby. It displays the current date and time if time has been set.



## Radio Mode

There are 3 radio modes available:



- Digital Radio (DAB)
- FM Radio
- Bluetooth

Press the **<Mode>** button repeatedly to select the mode you desire.

## DAB Radio Operation

1. Choose the DAB mode and press **<Select>** to confirm.
2. If no DAB radio stations have been received before, press the **<Scan>** button and it begins to full scan the DAB stations.
3. After scanning is completed, the radio of the stations will list in alphanumeric order and begin playing the first station.
4. The radio will play the last listened station when it is returned to previous state of mode (DAB or FM).

### DAB Slideshow

Our radio supports DAB slideshow. If there are images transmitted by the broadcaster, you will see the image appeared on the playing screen.

To start the slideshow, press the **<Select>** button. The image will be enlarged with the radio text scrolling under the image. Press the **<Select>** button again and it will be enlarged to the full screen size. Exit the Slideshow by pressing the **<Select>**

button.

## Main Menu

There are other options available under DAB mode.

Press the **<Menu>** button, it will enter into the menu as follow.

Press **<▲>** and **<▼>** to select different option, you can press **<▶>** key or **<Select>** to enter the sub-menu when there is **>** sign displayed.

Digital Radio	09:44
Station List	>
Full Scan	>
Manual Tune	>
Prune Invalid	>
DRC	>
System Settings	>

### Station List

Select it to see the full list of the received DAB stations.

If you want to exit the station list, press the **<Menu>** again.

### Full scan

It will pick up the DAB stations available in your area. Alternatively press the **<Scan>** button on the remote control.

### Manual tune

This function allows you to check whether a specific frequency can be received in your area and the corresponding signal strength.

When this option is selected, it will show a list of DAB frequencies.

Choose a frequency and it will display a bar of signal strength. If the bar of strength is grayed out, it means the frequency cannot be received in your area.

### Prune Invalid

Some DAB services may stop broadcasting or you may not be able to receive a station. Prune stations will delete the DAB stations from your station list that are no longer received.

### DRC

Dynamic Range Control (also known as DRC) can

make quieter sounds easier to hear when your radio is used in a noisy environment. This function is only available for the DAB.

DRC Off – No compression

DRC High – Maximum compression

DRC Low – Medium compression

Setting the compression to maximum will “boost” the quiet sounds, whilst keeping the loudest sounds at their original level.

## **System Settings**

There are 6 options for selection.

- Time/Date
- Backlight
- Language
- Factory Reset
- Software Update
- Software version

### **Time/Date**

1. Set Time/Date: This allows the user to set the current Time and Date manually.

2. Auto Update: This function will set the radio's time and date automatically with data sent along with the broadcast of either the FM or DAB radio station. You can choose “from Any” or “No update” at your choice.

\* Note that FM auto Time/Date update may not work in your area, so the DAB auto update option is recommended.

3. Set 12/4 Hour: This option will change the format of your clock to either 12 hour or 24 hour format.

4. Set Date Format: Changes the date display format between DD-MM-YYYY/MM-DD-YYYY.

### **Backlight**

Your radio has 3 backlight settings:

1. Timeout: This option is used to set the period of time that you wish your display's backlight to remain lit when your radio is in

both ON and STANDBY modes. The available options are On/10 sec/20 sec/30 sec/45 sec/60 sec/90 sec/120 sec/180 sec.

Select "On" will force your radio's backlight to remain on constantly. If you select a specific time delay, after the selected time period has lapsed the display will dim down under the following two situations:

- When the radio is turned on and no operation under selected time out period.
- When the radio turns off into standby mode, the backlight will dim down after the time out period has lapsed.

2. On level: This option will determine how bright the display's backlight is lit while the radio is in ON mode. There are 3 options for this setting: High, Medium & Low.

3. Dim level: Choose one of the brightness levels - low/medium/high when a specific time delay is selected, it will dim down to the level you have selected at this option.

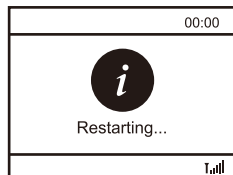
## Language

There are 4 languages available to display the menu: English, French, German, Italian.

## Factory reset

The DAB Radio can be reset to the factory default any time. Once a reset has been performed, the DAB Radio will automatically begin Full scan.

1. Select "Factory Reset", the display will show:



2. Press "◀" or "▶" key to choose <Yes>, then press "Select" to perform the rest.



**Important: Once the factory reset is done, all the previous settings and presets will be erased.**

#### **Software Update**

This option can only be used with the advice by the seller.

#### **Software version**

You can find the software version of your radio.

## **Radio Information**

When listening to a DAB radio station, you can view the information transmitted by the radio broadcaster if any. Cycling through the information available by pressing the **<INFO>** button repeatedly.

- Dynamic Label Segment (DLS)-  
This is scrolling text information supplied by the broadcaster. Information could be the name of an artist or music title, the DJ's name or the contact details for the radio station, news..etc.
- Channel frequency – e.g.:174.928MHz.
- Signal error strength
- Time and Date – supplied by the broadcaster.
- Program Type(PTY)-displays the station program type, e.g., 'POP Music', "Talk"...etc
- Audio format – e.g. 64kbps/DAB+

# FM Radio Mode Operation

To switch to FM mode, press the **<Mode>** button repeatedly to highlight the FM mode.

## Auto scan

Press **<Scan>** button, the radio will scan the next available station.

## Manual tune buttons

To fine tune the frequency manually, use the **▲** or **▼** button. The frequency will be tuned up or down by 0.05MHz.

## Menu Button

There are some settings available under FM. Press **<Menu>** button to select follow options:

- Scan setting
- Audio setting
- System setting

- Scan setting

There are two types of scan available. The scan is done according to “Strong station only” or “All station”. If ‘strong station only’ is selected, it will scan only the channels with strong reception signal where the radio is placed. If “All station” is selected, it will scan out both the strong and weak channels.

- Audio setting

Use the **▲** or **▼** to choose “Stereo allowed” or “Forced mono”.

- System setting

The following options are available under FM mode:

Time/Date, Backlight, Language, Factory Reset,  
Software update, Software version

For details of each option, please refer to the settings  
under DAB section.

## Information Display


Under the FM radio playing screen, press the **<INFO>** button repeatedly to view the broadcasted information. The FM radio receives Radio Data System (RDS) information.

RDS information includes:

- Name of the radio
- Audio format: Mono or stereo
- Program Type (PTY) – displays the station program type, e.g., Information
- Radio text – This is scrolling text information supplied by the broadcaster if any.
- Current Date and Time

Remark: Please note the RDS information is available for the station with strong signal reception.

## Preset stations

1. The preset stores favorite stations for easy access. It presets up to 10 DAB radio stations.
2. To preset a station, hold and press a specific number (from 1-10) until the “Preset X Saved” message appears.
3. The station is now successfully saved against the selected preset number. You will see the  icon at the bottom of display which shows the corresponding number of preset.



## Preset Recall

1. To recall the preset list, press the **<Recall>** button and it will display the list of the presets you have saved.
2. Alternatively, you can press a specific number to recall a specific radio station.

## Sleep Timer

The radio will turn off by itself after a selected time frame is due.

1. Press **<Sleep>** button on your remote control. Press it repeatedly to cycling through the timer option available from 15 minutes, 30 minutes, 45 minutes, 60 minutes, 90 minutes or OFF. Press the **<Select>** button to confirm your choice. The radio will turn to standby when the time is due.
2. If you wish to cancel the sleep timer, choose "OFF" from the sleep timer option.
3. The ☾ timer will display at the bottom of the playing screen.



## Setting of Alarm

1. Press **<Alarm 1>** or **<Alarm 2>** button to start the setting. Setting can be done in Standby too.

Alarm 1 Info	09:31
Alarm	Off
Frequency	Daily>
Wake Up time	06:00>
Source	Buzzer>
Duration	60>
Volume	16>

2. Press **<Select>** to set the Alarm Off or ON.
3. Press **▲** or **▼** to go to next setting.
4. Frequency: Daily, Once, Weekends or Weekdays.
5. Wake up time: Press **<Select>** button, use **▲** or **▼** to set the hour, press **<Select>** to skip to the minute setting then press **<Select>** again to confirm.
6. Source: You can set the alarm sound source as Buzzer, Digital Radio (DAB) or FM. If you choose sound source of Digital Radio (DAB) or FM, an additional option 'Preset' will pop up for you to select whether to use the "Last listened" or from "Preset station".
7. Preset: Either set the wake to DAB or FM by "Last listened" station or from "Preset station" station.
8. Duration: You can set the alarm duration in the range of 15 minutes to 120 minutes.
9. Volume: You can set the alarm sound level as you prefer.
10. To cancel the alarm, press the **<Alarm 1>** or **<Alarm 2>** or **<Power>** button.

## Bluetooth Operation

1. Press the **<Mode>** button repeatedly to highlight the Bluetooth mode.
2. The radio adaptor is now discoverable by your Bluetooth device. Turn on the Bluetooth on your device and look up the device named "DBA-01C" from the list and select it. It will start pairing with the radio adaptor.
3. If the connection is successful, it will show "Connected" on your Bluetooth device list.
4. You can start playing the music from your Bluetooth device through the radio adaptor.

### Warning

The normal function of the product may be disturbed by Strong Electro Magnetic Interference. If so, simply reset the product to resume normal operation by following the instruction manual. In case the function could not resume, please use the product in other location.

## Technical Specification

Model: DBA-01C8

Radio mode: DAB+/DAB/FM/bluetooth

Power input: 5V  1A

Power voltage: 100-240V~50/60Hz

Audio socket: 3.5mm Audio-out jack

Unit Dimension: 174 x 92 x 100 mm (L x H x D)

***Remark: Specification may vary without notice***

## What's included in the box

- \* DAB Radio Adaptor
- \* Power adaptor
- \* Remote control
- \* Wire antenna
- \* 75 ohm adaptor
- \* 3.5mm RCA cable
- \* User manual

### WEEE and Recycling



The European laws do not allow any more the disposal of old or defective electric or electronic devices with the household waste. Return your product to a municipal collection point for recycling to dispose of it. This system is financed by the industry and the ensures environmentally responsible disposal and the recycling of valuable raw materials.

Ocean Digital Technology Ltd  
Flat B, 12/F., Yeung Yiu Chung (No. 8) Ind.Bldg.,  
20 Wang Hoi Road, Kowloon Bay,  
Hong Kong  
Email: [support@oceandigital.com.hk](mailto:support@oceandigital.com.hk)